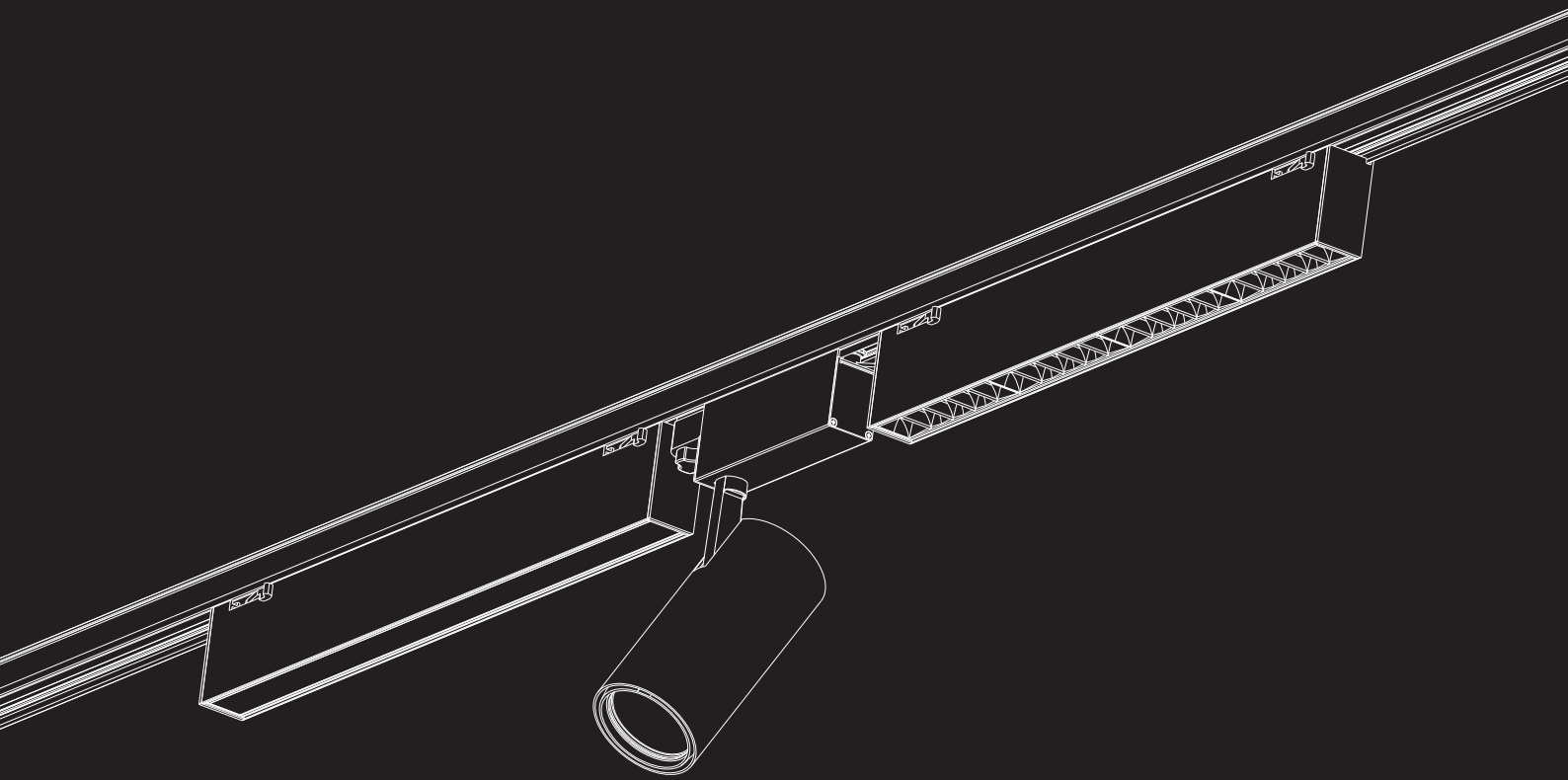
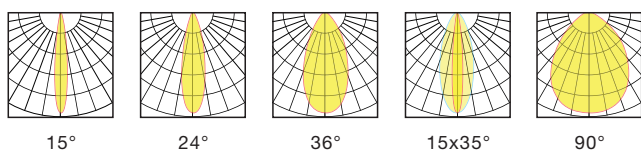
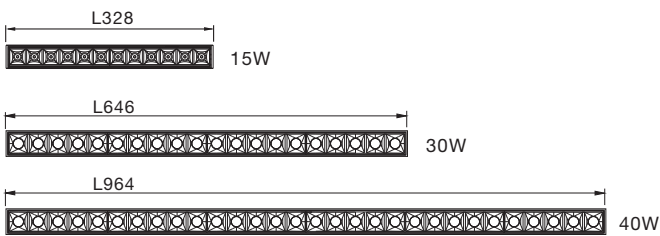
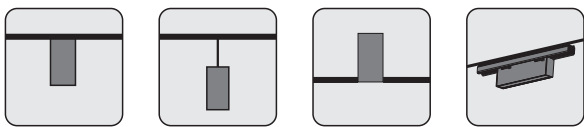
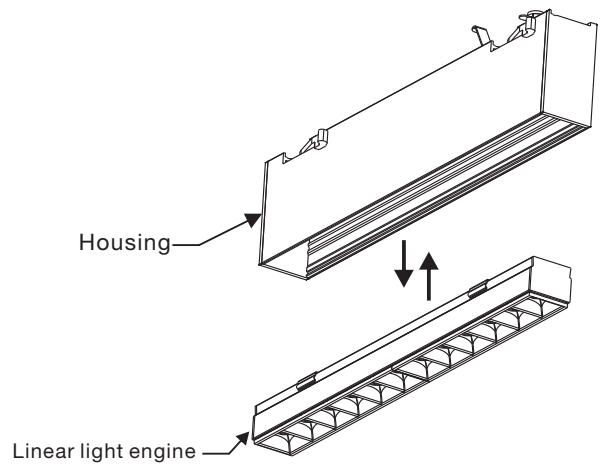
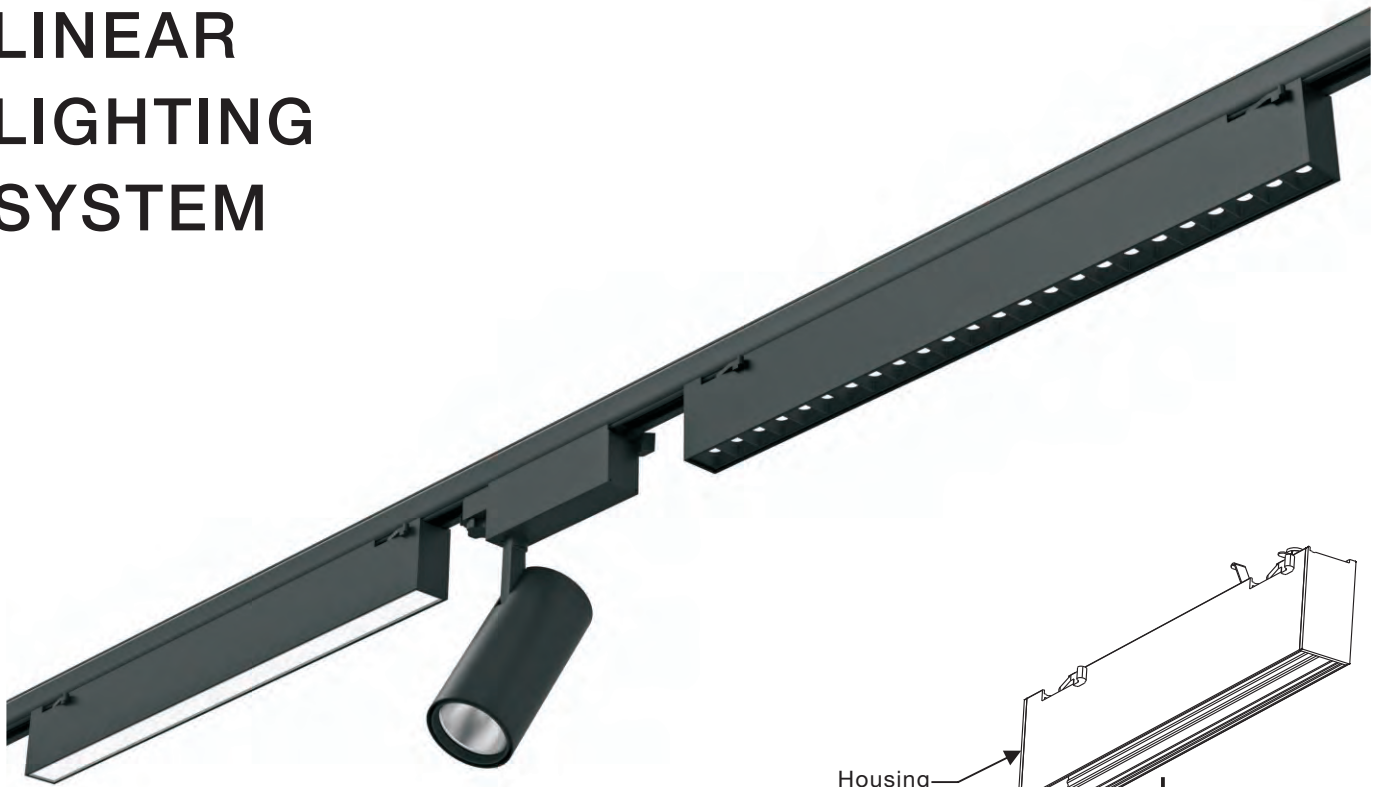


LINEAR LIGHTING SYSTEM



LINEAR LIGHTING SYSTEM



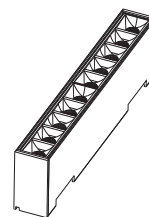
Linear light engine



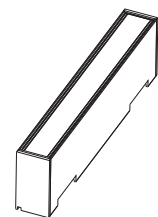
Type-A



Type-B



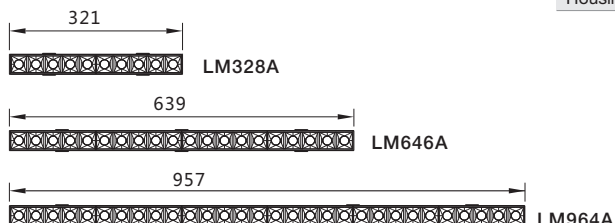
Lens + Anti glare reflector



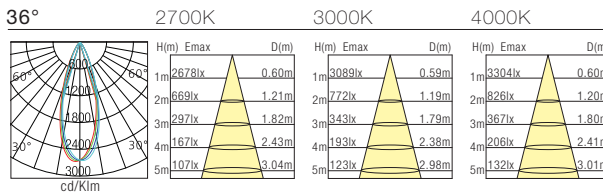
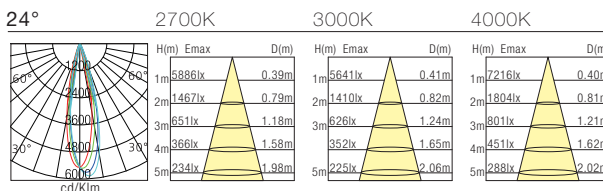
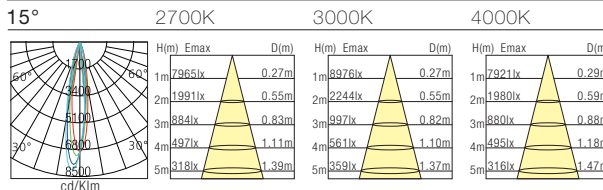
PC cover



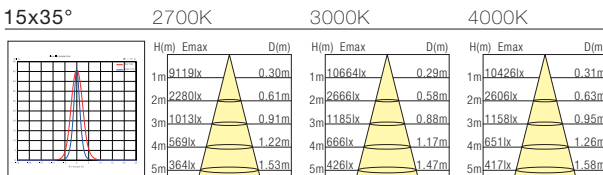
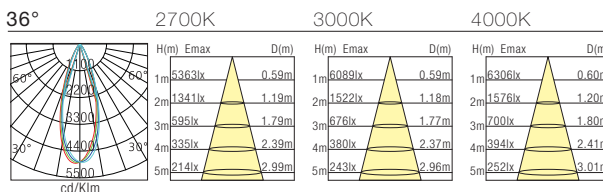
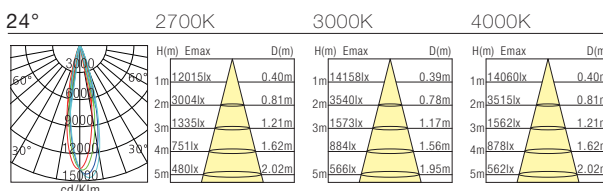
	LP328A	LP646A	LP964A
Power	15W	30W	40W
Current	350mA	700mA	1000mA
Light Source	3030SMD	3030SMD	3030SMD
CCT	2700K 3000K 4000K	2700K 3000K 4000K	2700K 3000K 4000K
Luminous Flux	1200lm 1300lm 1400lm	2300lm 1400lm 1450lm	3100lm 3150lm 3200lm
Efficacy(lm/W)	80lm 86lm 93lm	82lm 85lm 90lm	80lm 81lm 82lm
CRI	Ra80 (Ra90 Optional)	Ra80 (Ra90 Optional)	Ra80 (Ra90 Optional)
UGR	<19	<19	<19
Service life	>50000Hrs	>50000Hrs	>50000Hrs
Beam Angle	15°/24°/36°/15x35°	15°/24°/36°/15x35°	15°/24°/36°/15x35°
Housing color	● Silver	● Silver	● Silver



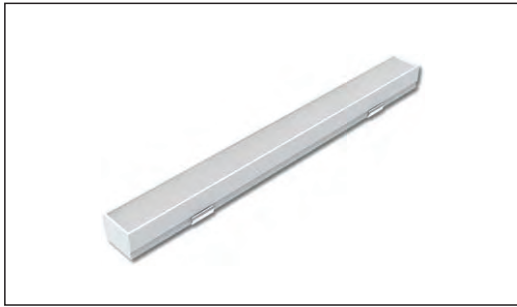
LM328A



LM646A



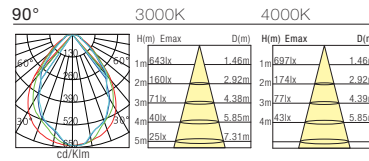
LINEAR LIGHTING SYSTEM



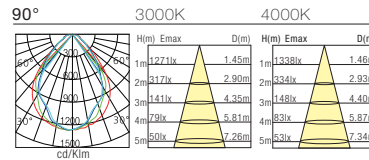
	LP328B	LP646B	LP964B
Power	15W	30W	40W
Current	350mA	700mA	1000mA
Light Source	2835SMD	2835SMD	2835SMD
CCT	2700K 3000K 4000K	2700K 3000K 4000K	2700K 3000K 4000K
Luminous Flux	1150lm 1100lm 1200lm	2200lm 2235lm 2300lm	3050lm 3100lm 3150lm
Efficacy(lm/W)	76lm 77lm 84lm	82lm 85lm 90lm	79lm 80lm 81lm
CRI	Ra80 (Ra90 Optional)	Ra80 (Ra90 Optional)	Ra80 (Ra90 Optional)
Service life	>50000Hrs	>50000Hrs	>50000Hrs
Beam Angle	90°	90°	90°
Housing color	● Silver	● Silver	● Silver

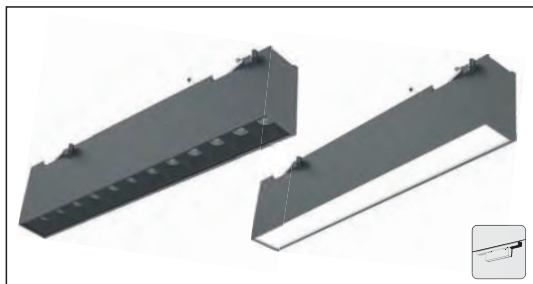


15W, 3000K, CRI80

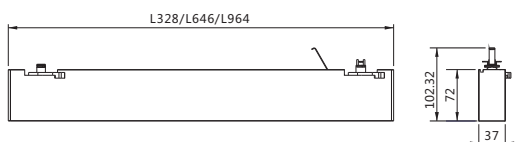


30W, 3000K, CRI80



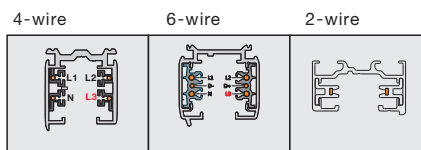


	LP-L328A-15W LP-L328B-15W	LP-L646A-30W LP-L646B-30W	LP-L964A-40W LP-L964B-40W
Power	15W	30W	40W
Current	350mA	700mA	1000mA
CCT	2700K/3000K/4000K/5000K	2700K/3000K/4000K/5000K	2700K/3000K/4000K/5000K
CRI	Ra80 (Ra90 Optional)	Ra80 (Ra90 Optional)	Ra80 (Ra90 Optional)
Service life	>50000Hrs	>50000Hrs	>50000Hrs
Beam Angle	15°/24°/36°/15°35°, 90°	15°/24°/36°/15°35°, 90°	15°/24°/36°/15°35°, 90°
Other Parameters	Refer to LM328A/LM328B	Refer to LM646A/LM646B	Refer to LM964A/LM964B
Housing color:	○ RAL9016 Sandy white ● RAL9017 Sandy black	○ RAL9016 Sandy white ● RAL9017 Sandy black	○ RAL9016 Sandy white ● RAL9017 Sandy black

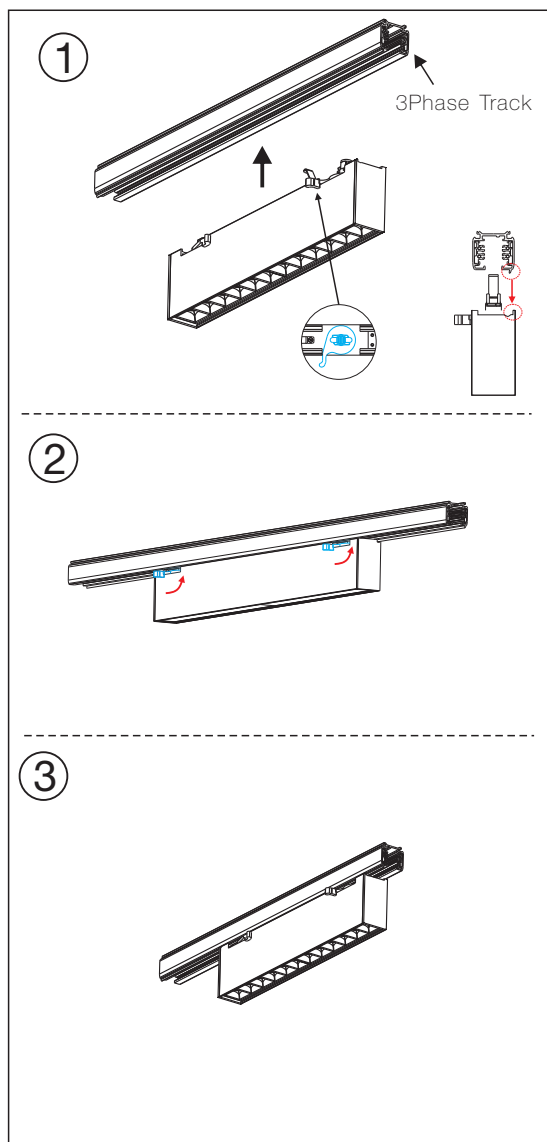


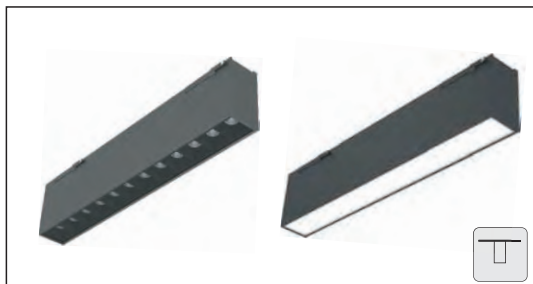
Weight: 0.8KG(L328)
1.4KG(L646)
2.0KG(L964)
Packaging: 700x295x265mm, 20pcs/CTN (L328)
700x295x265mm, 10pcs/CTN (L646)
1000x240x265mm, 8pcs/CTN (L964)

Compatible LED Tracks:

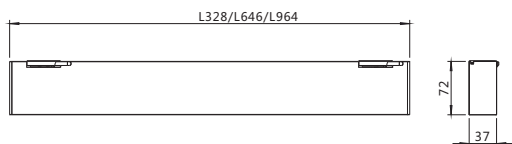


*Non-dimmable: 4-wire controlled by circuit L3 only (single circuit control);
*0/1-10V or DALI dimmable: 6-wire controlled by circuit L3 only (single circuit control);

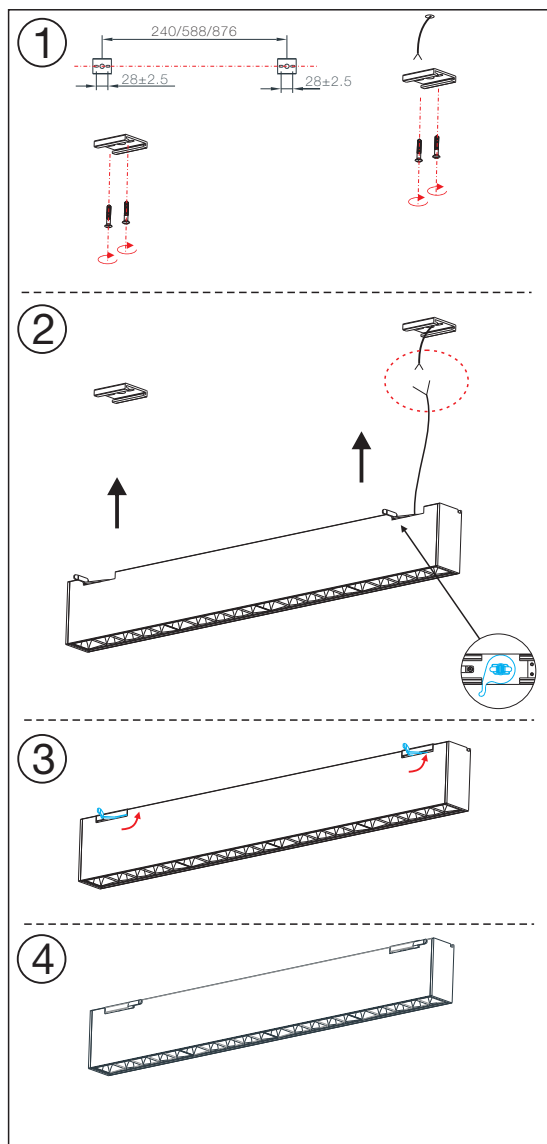




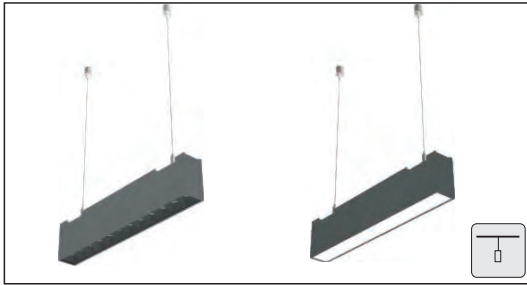
	LP1-L328A-15W LP1-L328B-15W	LP1-L646A-30W LP1-L646B-30W	LP1-L964A-40W LP1-L964B-40W
Power	15W	30W	40W
Current	350mA	700mA	1000mA
CCT	2700K/3000K/4000K/5000K	2700K/3000K/4000K/5000K	2700K/3000K/4000K/5000K
CRI	Ra80 (Ra90 Optional)	Ra80 (Ra90 Optional)	Ra80 (Ra90 Optional)
Service life	>50000Hrs	>50000Hrs	>50000Hrs
Beam Angle	15°/24°/36°/15°35°, 90°	15°/24°/36°/15°35°, 90°	15°/24°/36°/15°35°, 90°
Other Parameters	Refer to LM328A/LM328B	Refer to LM646A/LM646B	Refer to LM964A/LM964B
Housing color:	<input type="radio"/> RAL9016 Sandy white <input checked="" type="radio"/> RAL9017 Sandy black	<input type="radio"/> RAL9016 Sandy white <input checked="" type="radio"/> RAL9017 Sandy black	<input type="radio"/> RAL9016 Sandy white <input checked="" type="radio"/> RAL9017 Sandy black



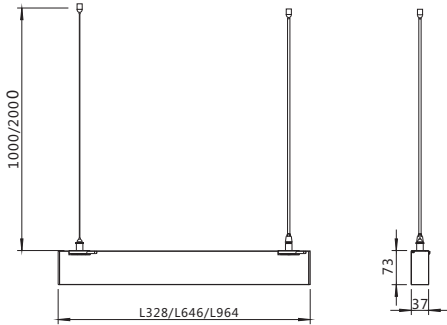
Weight: 0.8KG(L328)
 1.4KG(L646)
 2.0KG(L964)
 Packaging: 700x295x265mm, 20pcs/CTN (L328)
 700x295x265mm, 10pcs/CTN (L646)
 1000x240x265mm, 8pcs/CTN (L964)



LINEAR LIGHTING SYSTEM



	LP2-L328A-15W LP2-L328B-15W	LP2-L646A-30W LP2-L646B-30W	LP2-L964A-40W LP2-L964B-40W
Power	15W	30W	40W
Current	350mA	700mA	1000mA
CCT	2700K/3000K/4000K/5000K	2700K/3000K/4000K/5000K	2700K/3000K/4000K/5000K
CRI	Ra80 (Ra90 Optional)	Ra80 (Ra90 Optional)	Ra80 (Ra90 Optional)
Service life	>50000Hrs	>50000Hrs	>50000Hrs
Beam Angle	15°/24°/36°/15°35°, 90°	15°/24°/36°/15°35°, 90°	15°/24°/36°/15°35°, 90°
Other Parameters	Refer to LM328A/LM328B	Refer to LM646A/LM646B	Refer to LM964A/LM964B
Housing color:	<input type="radio"/> RAL9016 Sandy white <input checked="" type="radio"/> RAL9017 Sandy black	<input type="radio"/> RAL9016 Sandy white <input checked="" type="radio"/> RAL9017 Sandy black	<input type="radio"/> RAL9016 Sandy white <input checked="" type="radio"/> RAL9017 Sandy black



Weight: 0.8KG(L328)

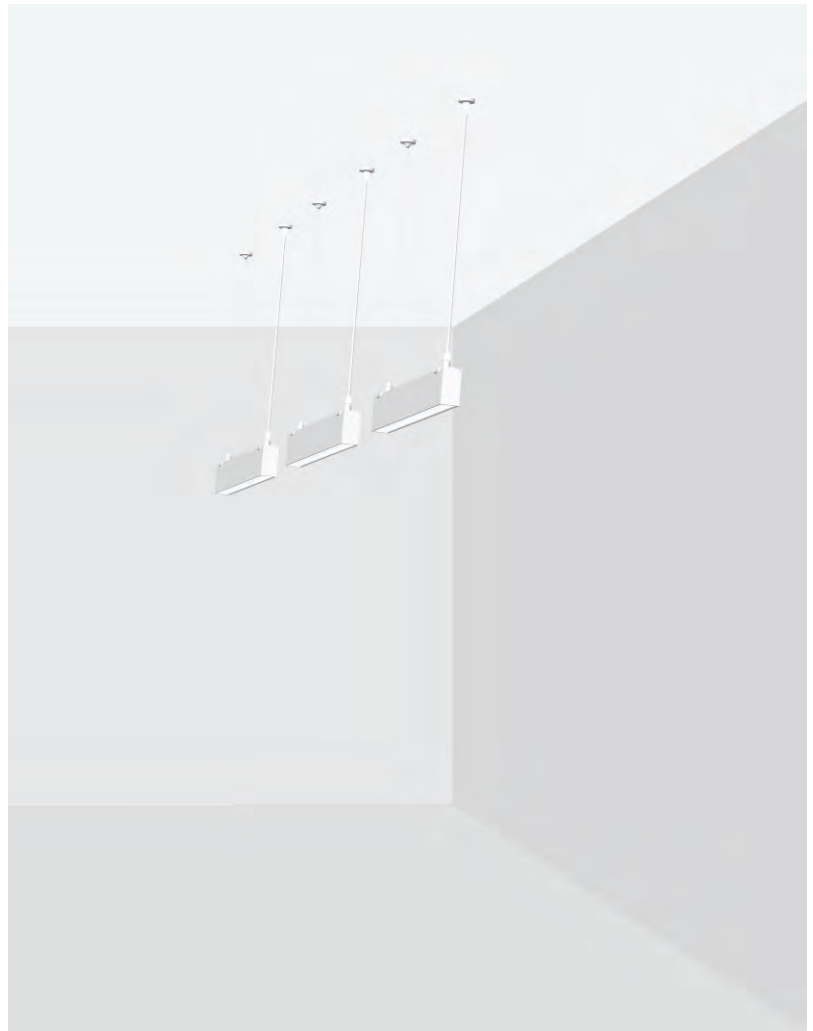
1.4KG(L646)

2.0KG(L964)

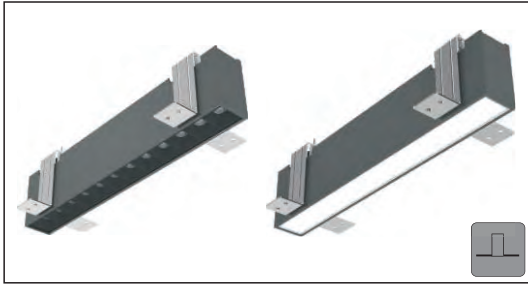
Packaging: 700x295x265mm, 20pcs/CTN (L328)

700x295x265mm, 10pcs/CTN (L646)

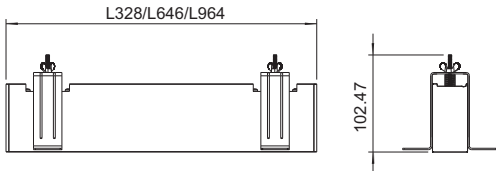
1000x240x265mm, 8pcs/CTN (L964)



LINEAR LIGHTING SYSTEM

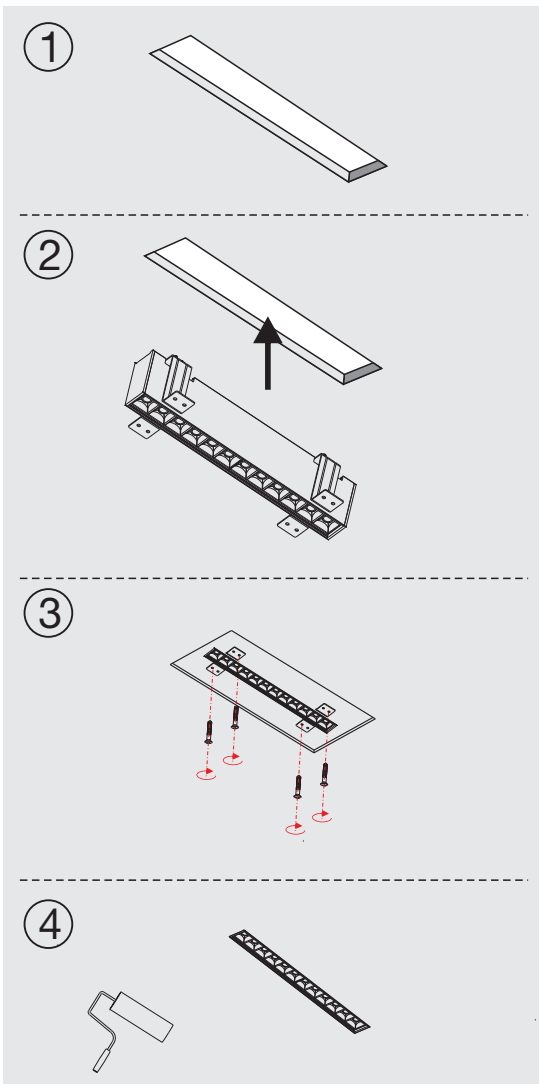
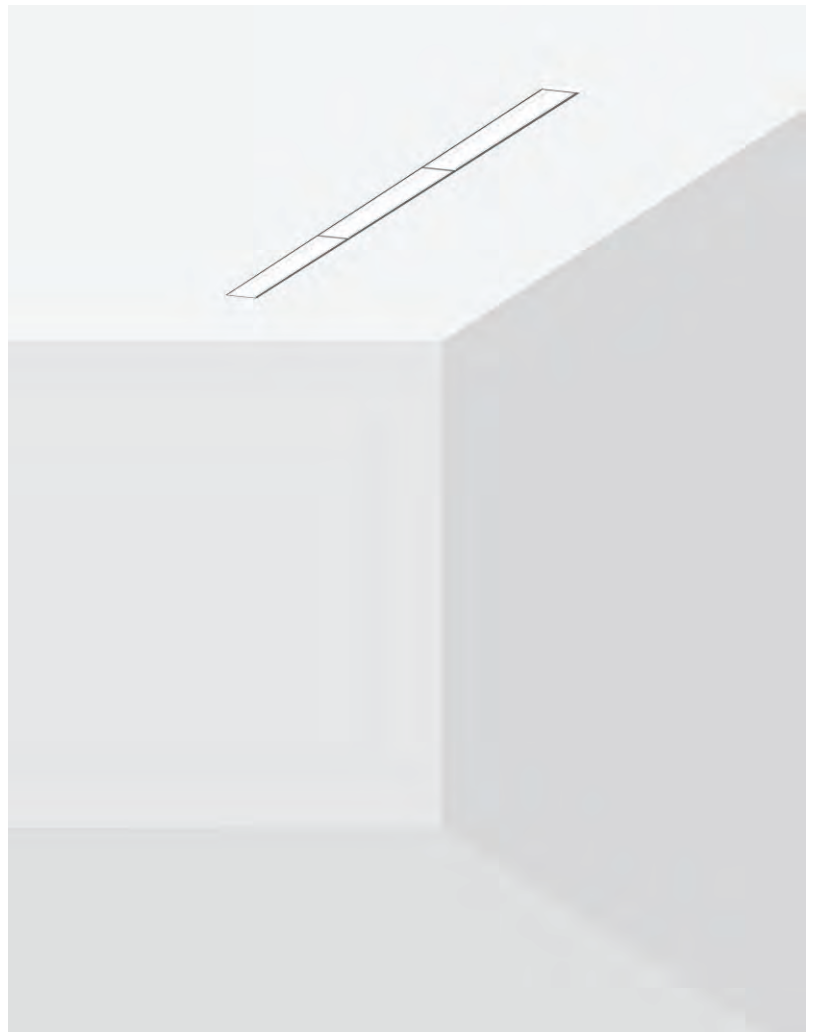


	LP3-L328A-15W LP3-L328B-15W	LP3-L646A-30W LP3-L646B-30W	LP3-L964A-40W LP3-L964B-40W
Power	15W	30W	40W
Current	350mA	700mA	1000mA
CCT	2700K/3000K/4000K/5000K	2700K/3000K/4000K/5000K	2700K/3000K/4000K/5000K
CRI	Ra80 (Ra90 Optional)	Ra80 (Ra90 Optional)	Ra80 (Ra90 Optional)
Service life	>50000Hrs	>50000Hrs	>50000Hrs
Beam Angle	15°/24°/36°/15°/35°, 90°	15°/24°/36°/15°/35°, 90°	15°/24°/36°/15°/35°, 90°
Other Parameters	Refer to LM328A/LM328B	Refer to LM646A/LM646B	Refer to LM964A/LM964B
Housing color:	<input type="radio"/> RAL9016 Sandy white <input checked="" type="radio"/> RAL9017 Sandy black	<input type="radio"/> RAL9016 Sandy white <input checked="" type="radio"/> RAL9017 Sandy black	<input type="radio"/> RAL9016 Sandy white <input checked="" type="radio"/> RAL9017 Sandy black



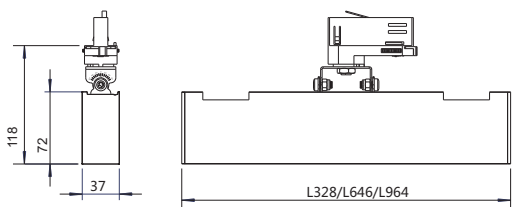
Weight: 0.8KG(L328)
1.4KG(L646)
2.0KG(L964)

Packaging: 700x295x265mm, 12pcs/CTN (L328)
700x295x265mm, 6pcs/CTN (L646)
1000x240x265mm, 4pcs/CTN (L964)





	LPR1-L328A-15W LPR1-L328B-15W	LPR1-L646A-30W LPR1-L646B-30W	LPR1-L964A-40W LPR1-L964B-40W
Power	15W	30W	40W
Current	350mA	700mA	1000mA
CCT	2700K/3000K/4000K/5000K	2700K/3000K/4000K/5000K	2700K/3000K/4000K/5000K
CRI	Ra80 (Ra90 Optional)	Ra80 (Ra90 Optional)	Ra80 (Ra90 Optional)
Service life	>50000Hrs	>50000Hrs	>50000Hrs
Beam Angle	15°/24°/36°/15°35°, 90°	15°/24°/36°/15°35°, 90°	15°/24°/36°/15°35°, 90°
Other Parameters	Refer to LM328A/LM328B	Refer to LM646A/LM646B	Refer to LM964A/LM964B
Housing color:	<input type="radio"/> RAL9016 Sandy white <input checked="" type="radio"/> RAL9017 Sandy black	<input type="radio"/> RAL9016 Sandy white <input checked="" type="radio"/> RAL9017 Sandy black	<input type="radio"/> RAL9016 Sandy white <input checked="" type="radio"/> RAL9017 Sandy black



Weight: 0.8KG(L328)

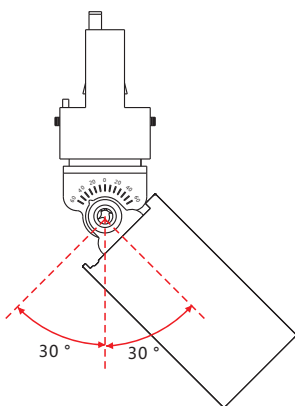
1.4KG(L646)

2.0KG(L964)

Packaging: 700x350x250mm, 12pcs/CTN (L328)

700x350x250mm, 6pcs/CTN (L646)

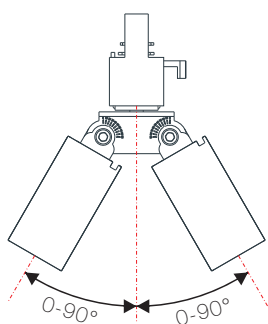
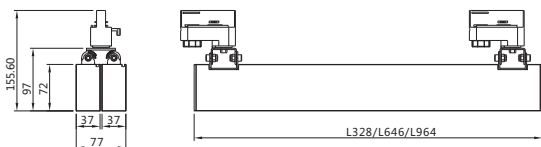
1000x350x180mm, 4pcs/CTN (L964)



LINEAR LIGHTING SYSTEM



	LP2-L328A-30W LP2-L328B-30W	LP2-L646A-60W LP2-L646B-60W	LP2-L964A-80W LP2-L964B-80W
Power	2x15W	2x30W	2x40W
Current	350mA	700mA	1000mA
CCT	2700K/3000K/4000K/5000K	2700K/3000K/4000K/5000K	2700K/3000K/4000K/5000K
CRI	Ra80 (Ra90 Optional)	Ra80 (Ra90 Optional)	Ra80 (Ra90 Optional)
Service life	>50000Hrs	>50000Hrs	>50000Hrs
Beam Angle	15°/24°/36°/15°35°, 90°	15°/24°/36°/15°35°, 90°	15°/24°/36°/15°35°, 90°
Other Parameters	Refer to LM328A/LM328B	Refer to LM646A/LM646B	Refer to LM964A/LM964B
Housing color:	○ RAL9016 Sandy white ● RAL9017 Sandy black	○ RAL9016 Sandy white ● RAL9017 Sandy black	○ RAL9016 Sandy white ● RAL9017 Sandy black



Weight: 1.6KG(L328)
 2.8KG(L646)
 4.0KG(L964)
 Packaging: 700x350x250mm, 12pcs/CTN (L328)
 700x350x250mm, 6pcs/CTN (L646)
 1000x350x180mm, 4pcs/CTN (L964)



Light-Project - AT 6020 Innsbruck - Maria Theresienstraße 7/1 - USt-ID: ATU29089704

Light-project-LED - IT 20123 Milano - Via Cesare da Sesto 24 - Partita IVA: 09152030962